



DOC.NO.: 20061110-A

REVISION: 1.1.1



TECHNICAL SPECIFICATIONS

PATCH CORD ASSEMBLY FOR BI 124-A OPTICAL FIBER

光パッチコード BI 124-A
仕様書

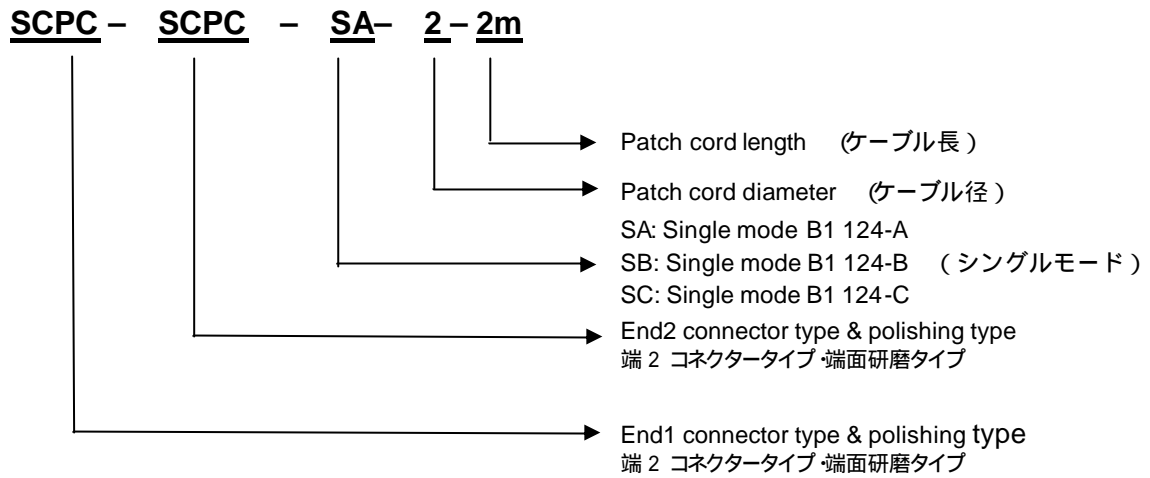
Designer

Engineer of ZTT Overseas
Department

Approver

Technical Director of ZTT
Overseas Department

1. MANUFACTURE MODEL INFORMATION: (型番)



Product model (品番) SCPC - SCPC - SA - 2 ? 2m

Explanation (仕様)

Simplex core Single-mode G.652 cable connector, End 1 represents a SC/PC plug, End 2 represents a SC/PC plug, SA is single mode B1 124-A fiber, cable diameter is 2.0 mm, the length of patch cord is 2 meters.

単芯シングルモードG.652 ケーブルコネクター、端1 SC/PC プラグ、端2 SC/PC プラグ
SA ? シングルモードBI 124-A ファイバー、ケーブル径 2.0mm、ケーブル長 2m

2. PRODUCT FIGURATION (図面):

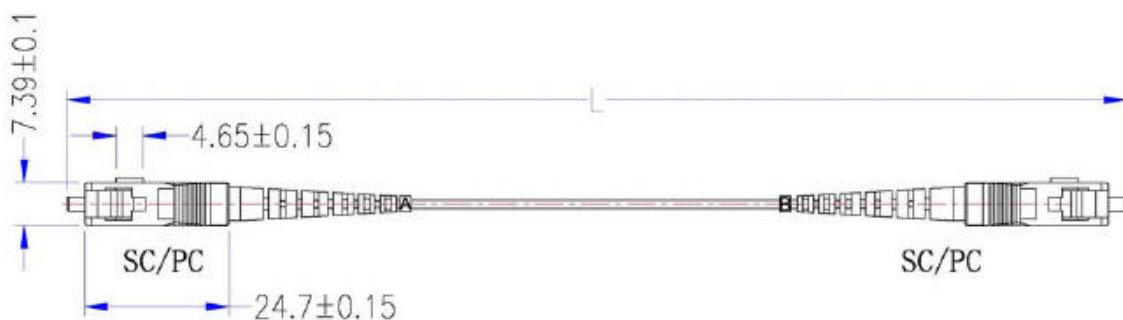


Figure 1 Cable Module 図1 ケーブルモジュール

The branch mark of two ends: use number to represent One ends marks as: A, the other ends marks as: B. (両端マーキング : A/B)



3. FIBER CONNECTOR PERFORMANCE INDEX (B1 124- A Fiber)

Table1 Single mode fiber connector performance index

Item	SC
Insertion loss (1 turn, 30mm) (挿入損失)	0.4dB
Return loss (1 turn, 30mm) (反射減衰量)	45 dB
Working temperature (動作温度)	- 25 ~ +70
Storage temperature (保存温度)	- 40 ~ +85
Endurance (耐久性)	> 1000 times
Standard (準拠規格)	GR326 / YD1258.4

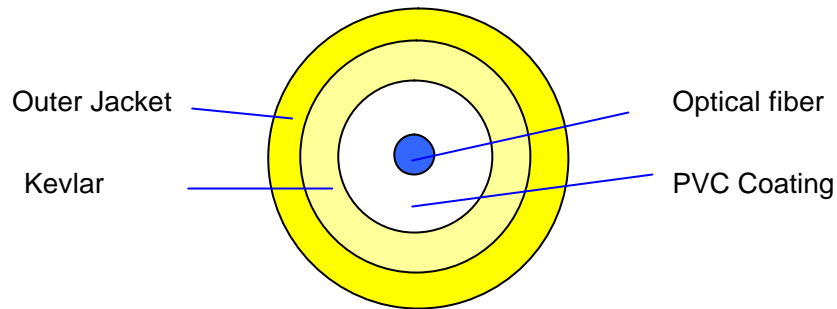
4. FIBER OPTICAL PERFORMANCE (B1 124-A Fiber) (芯線性能)

Table 2 Single mode fiber dimension index 図 2 シングルモードファイバー仕様

Item	Technology index
Mode Field diameter (モードフィールド径)	8.6 ± 0.4 μ m at 1310nm
	10.0 ± 0.5 μ m at 1550nm
Zero dispersion wavelength (零分散波長)	1312 ± 10 nm
Cladding diameter (クラッド径)	124.8 ± 0.7 μ m
Core/cladding concentricity error (コア/クラッド偏心率)	0.5 μ m
Cladding non-circularity (クラッド非円率)	1%
Cladding/coating concentricity error (クラッド/コーティング偏心率)	12 μ m
Coating diameter (被覆径)	245 ± 5 μ m
Coating Non-Circularity (コーティング非円率)	6.0 %
Macro-bending loss (1 turns; 20 mm) @1625 nm (曲げ損失) (1 turns; 30 mm) @1625 nm (100 turns; 60 mm) @1625 nm	0.2 dB
	0.05 dB
	0.05 dB
Allowable Bending Radius (許容曲げ半径)	15mm

5. CABLE TECHNOLOGY REQUIREMENTS (ケーブル技術仕様)

a. Cable Cross-Sectional Structure (ケーブル形状)



b. Optical cable performance (光ケーブル特性)

Mechanism performance complying standard: IEC60794-1

特性は IEC60794-1 に準拠

Anti-fire performance complying standard: OFNR

難燃性特性は OFNR に準拠

6. OUTER JACKET MECHANISM PERFORMANCE (外被特性)

Complying standard: YD/T1258.4

YD/T1258.4 に準拠